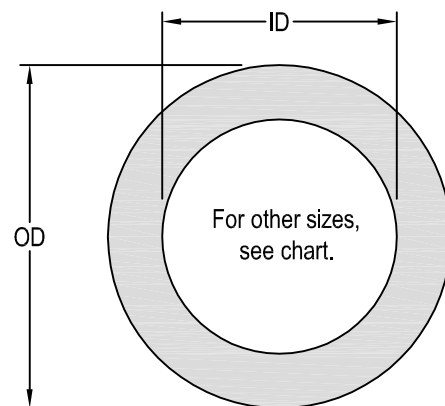
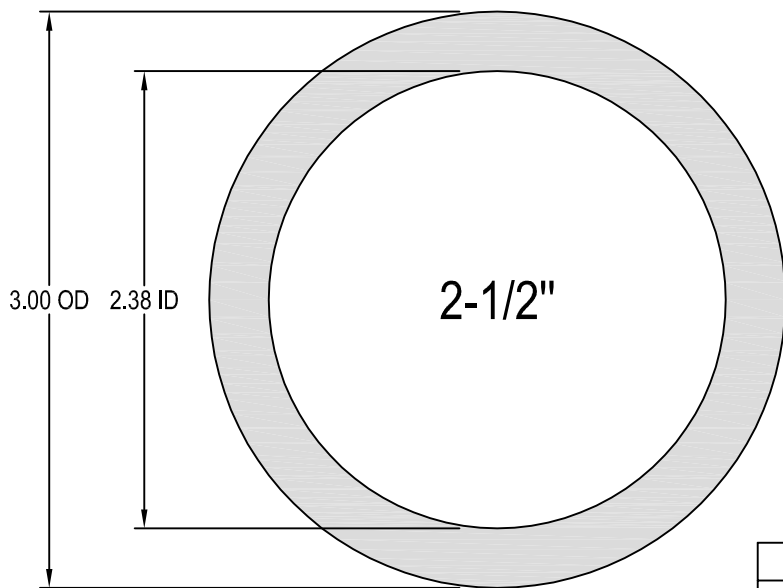
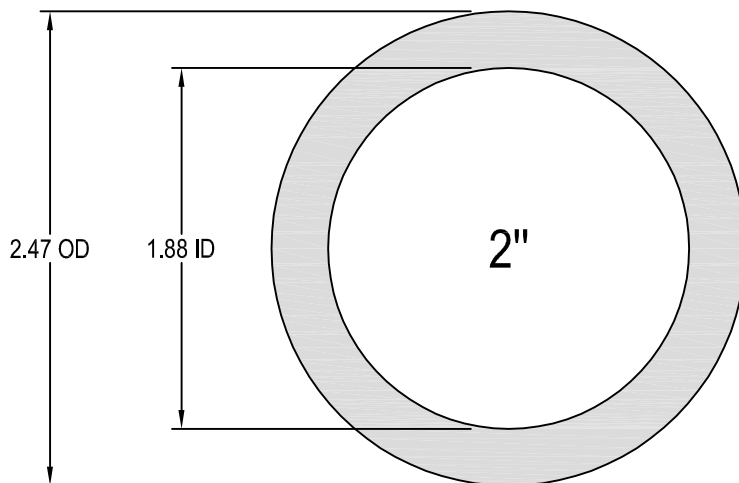
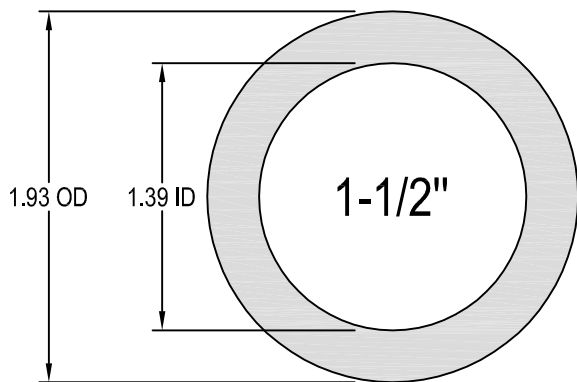
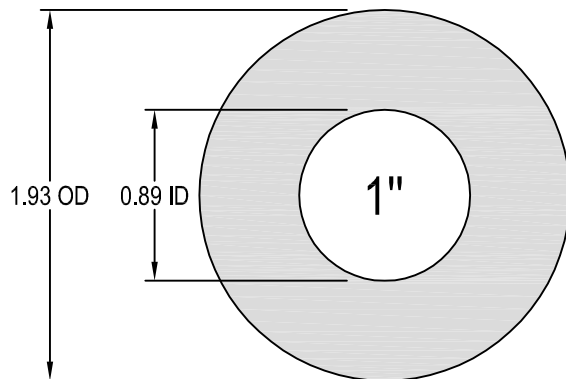
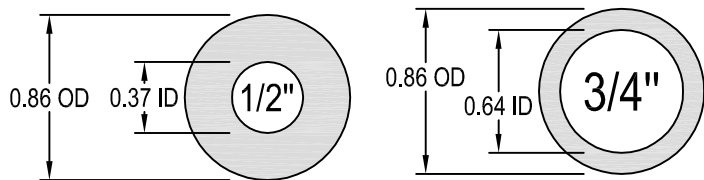


GUIDE : CLAMP GASKET SIZING



Nominal Size	OD	ID
3"	3.58	2.87
4"	4.68	3.83
6"	6.56	5.78
8"	8.60	7.76
10"	10.57	9.78
12"	12.57	11.76

All dimensions in inches.

